

APAC MutiGuard edge protection installation guide

1. Drill the holes

1) Drill a 12mm holes which is at least 75mm depp and 200mm from the edge side.

2) Clear the hole from drilling residues.

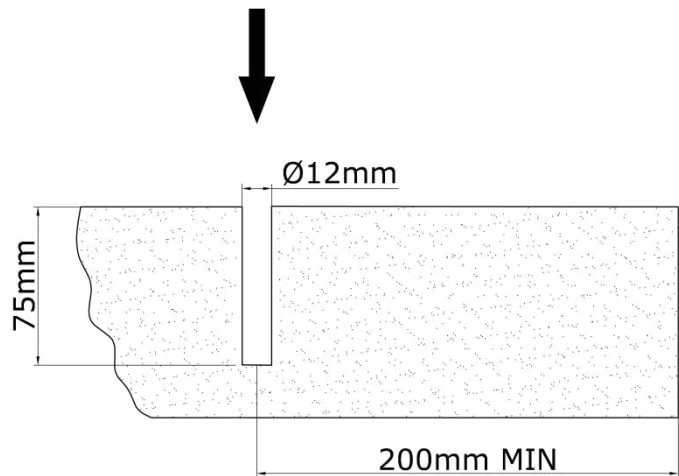


Figure 1

2. Multi Foot installation

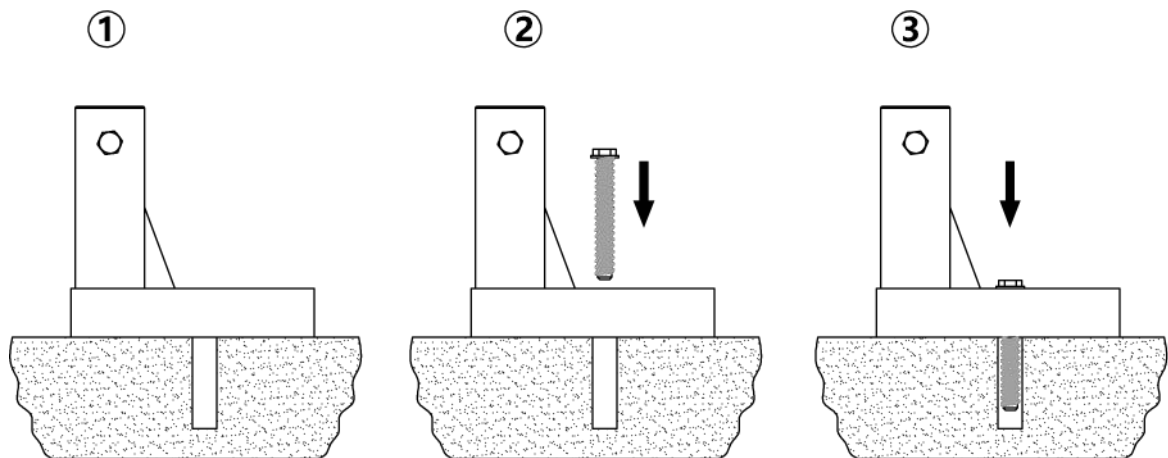


Figure 2

1) Put the multi foot vertically into position of the holes

2) Insert the M12x100mm concrete screw bolt into the position of the hole which already be punched in the multi feet.

3) Tighten the concrete screw bolt into the concrete with a handheld wrench or a electric drill

Check as Figure 2

3. Safty Post installation

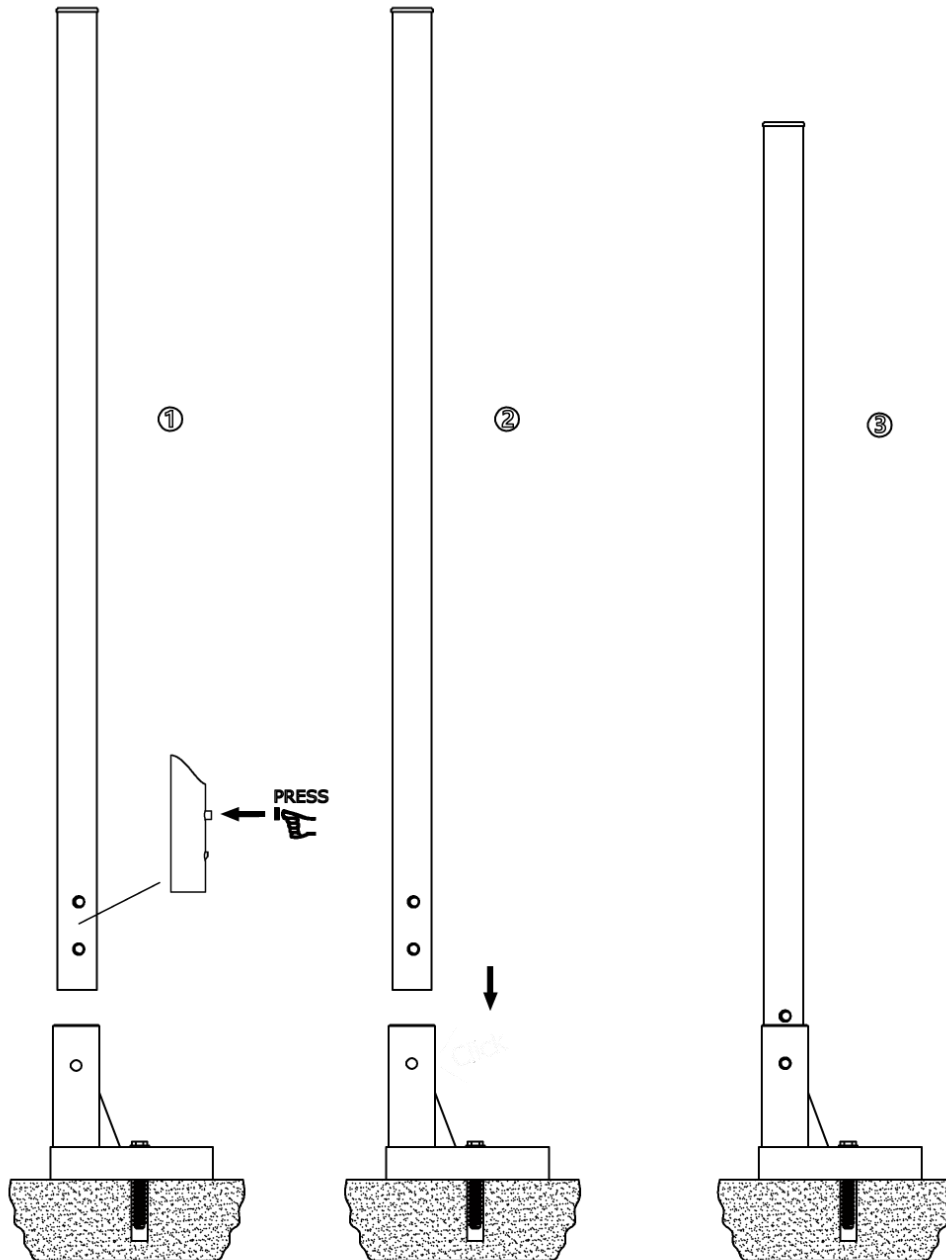


Figure 3

- 1) Press the spring pin which is assembled in the safety post
- 2) Inset the safety post into the tube of the multi foot.
- 3) Ensure the spring pin in right position and locked the post .

Check as Figure 3

4. Slider Hook Installation

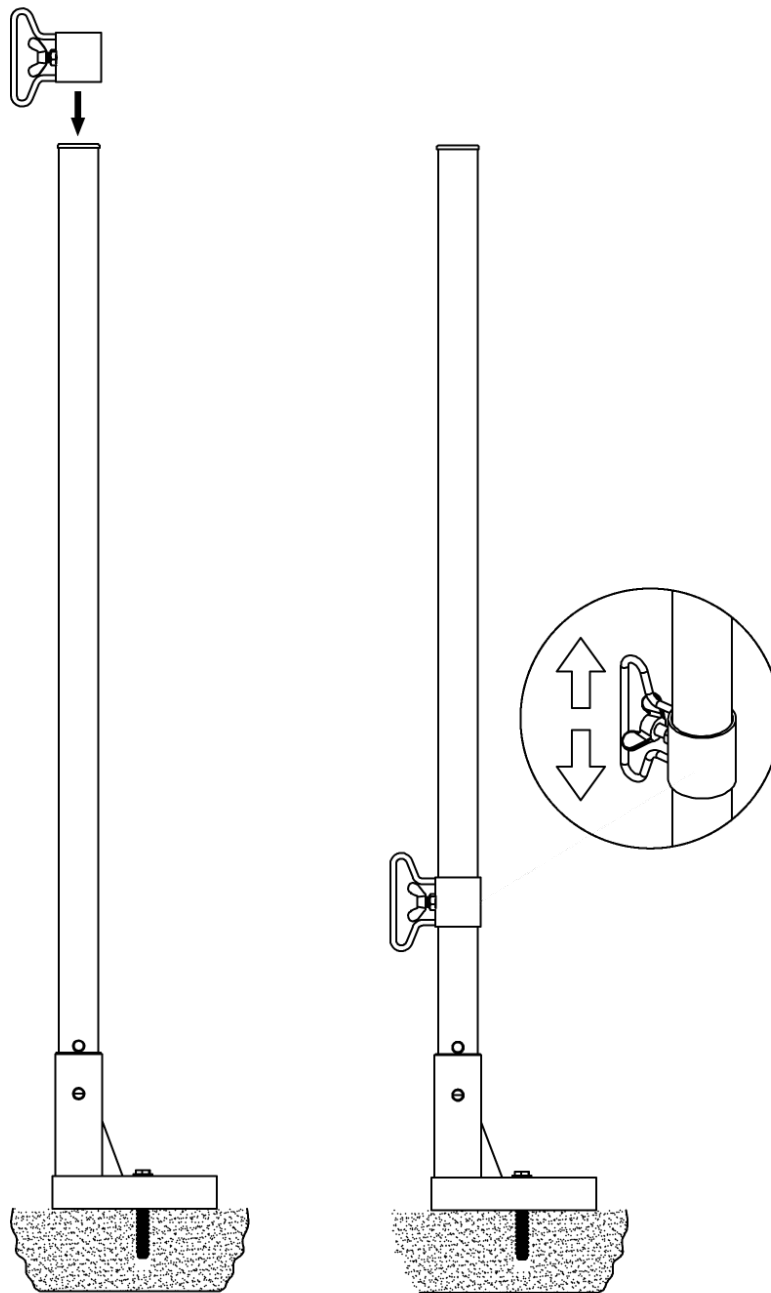


Figure 4

- 1) Insert the slider Hooks to the safety post from the top.
- 2) DON NOT lock the slider hooks until the mesh barrier installed, Please check next step.

Check as Figure 4

5. Mesh Barrier Installation

- 1) Insert the mesh barrier to the safety post from the top.
- 2) Ensure the top of the mesh barrier go through the safe post, continue going down until the bottom of the mesh barrier is on the concrete floor.
- 3) Put the slider hook to the bottom wire of the mesh barrier and lock the mesh barrier to the right position.

Check as Figure 5

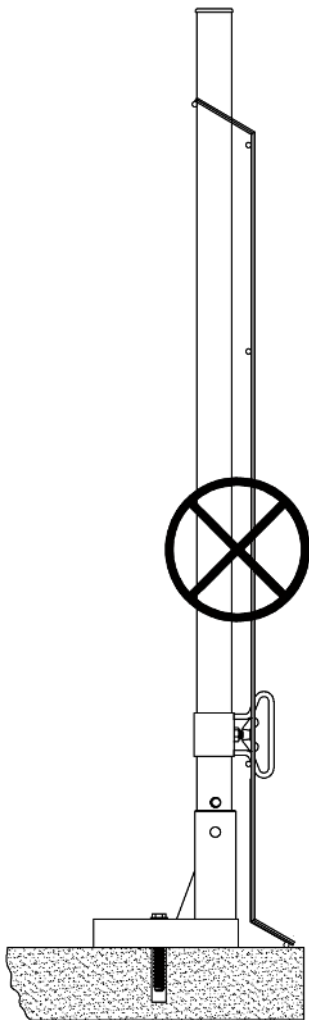


Figure 6

The installation way in Figure 6 is not allowed.

Figure 5

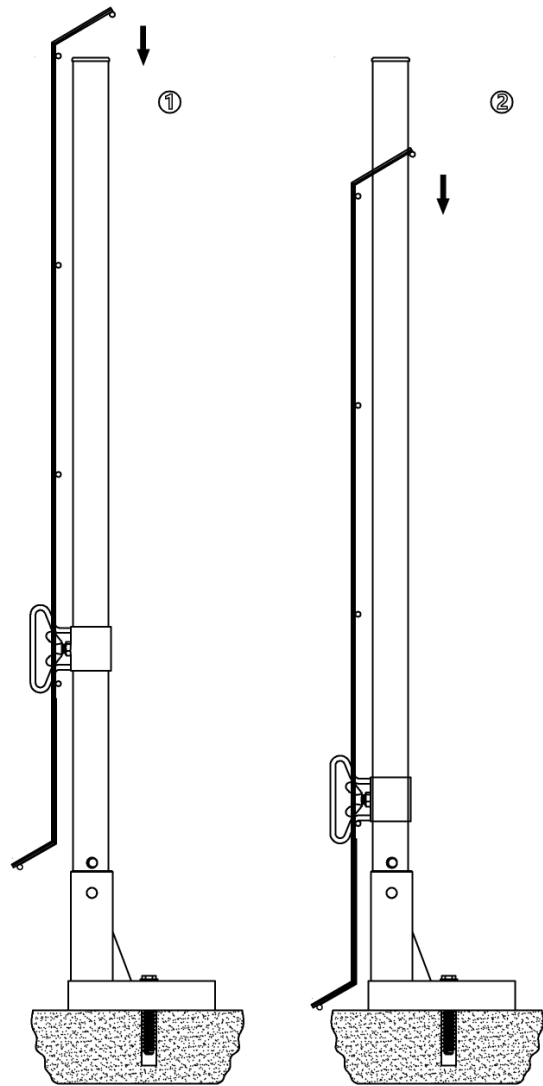
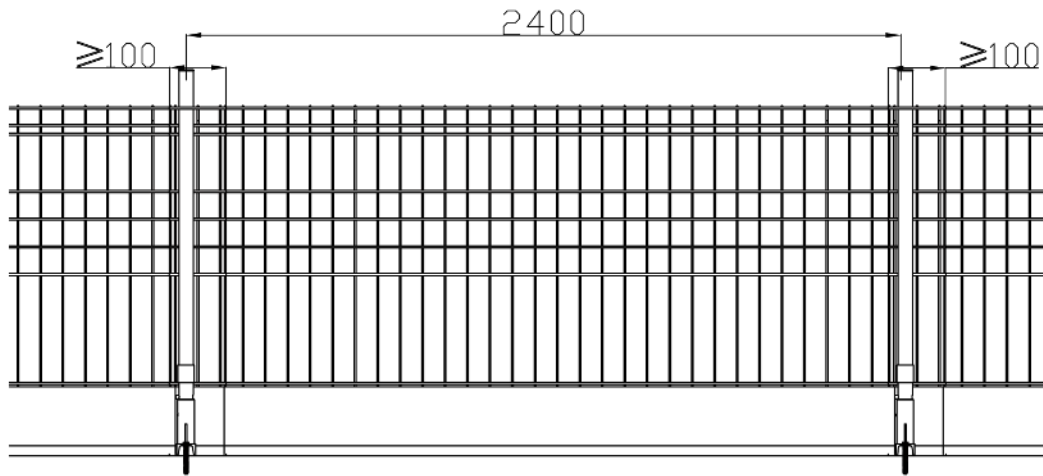


Figure 5

Tips: The barrier shall always be mounted towards the working surface. And the barrier's

side with a logotype should face towards the posts.

6. The distance between two posts should be a maximum of 2.4 meters.



7. Over two mesh barriers installation, one mesh barrier should overlap to another one and so on till all mesh barriers installed. The overlapping distance normally is 100mm.

