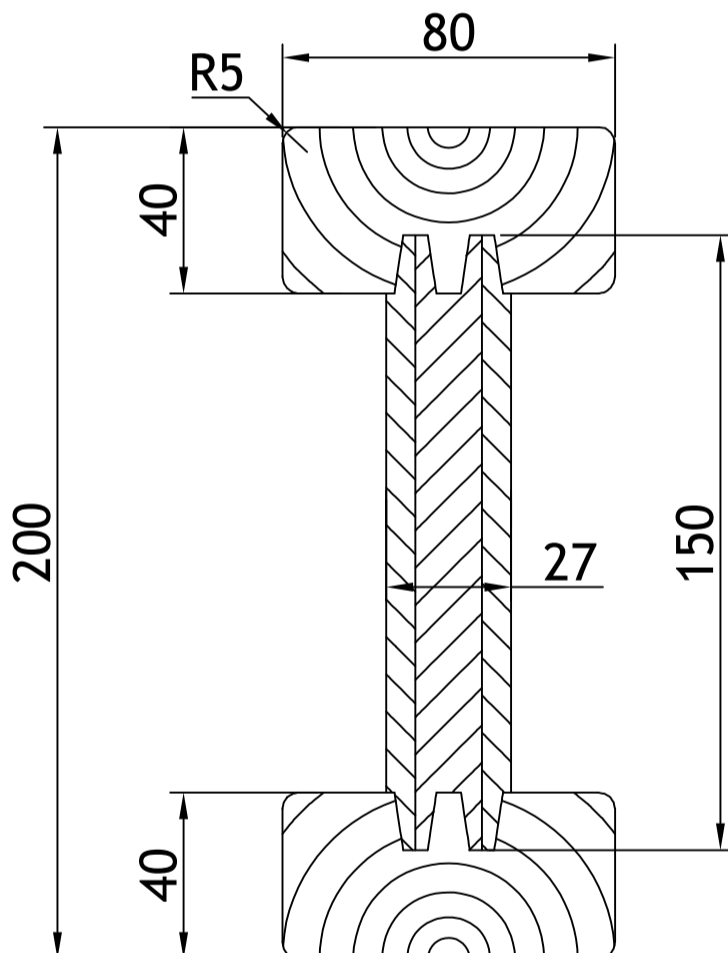


## H20 Timber Beam

### Description

- \* Raw Material: Finnish Spruce from Brand Metsä Wood or UPM
- \* Glue: WBP Phenolic Glue
- \* Density: 5.0-6.0 kg/m
- \* Wood Humidity: 12%±2%
- \* Length: 1.3 / 1.45 / 1.95 / 2.45 / 2.65 / 2.90 / 3.30 / 3.60 / 3.90 / 4.50 / 4.90 / 5.90 m or customized length
- \* Painting: Yellow Waterproof Painting or as per request



### Dimension & Tolerance

Dimension	Values (mm)	Tolerance (mm)
Beam height	200 mm	± 2 mm
External height	40 mm	± 0,6 mm
External width	80 mm	- 1,2 mm + 0,8 mm
Core thickness	27 mm	± 0.5 mm

The design and the material used guarantee a light and at the same time durable product, excellent as structural element for formwork.

Protected ends to withstand hits.

Mechanical properties according to standard EN-13377:

Shear Resistance : 24 kN

Bending Resistance : 11 kNm

Bearing Resistance: 50 kN

Bending Stiffness : 460 KNm<sup>2</sup>