



# SHORING PROP

PRODUCT  
CATALOG

2024

+8618626117708  
[www.apacsafety.com](http://www.apacsafety.com)  
[sales@apacsafety.com](mailto:sales@apacsafety.com)



# SHORING PROP

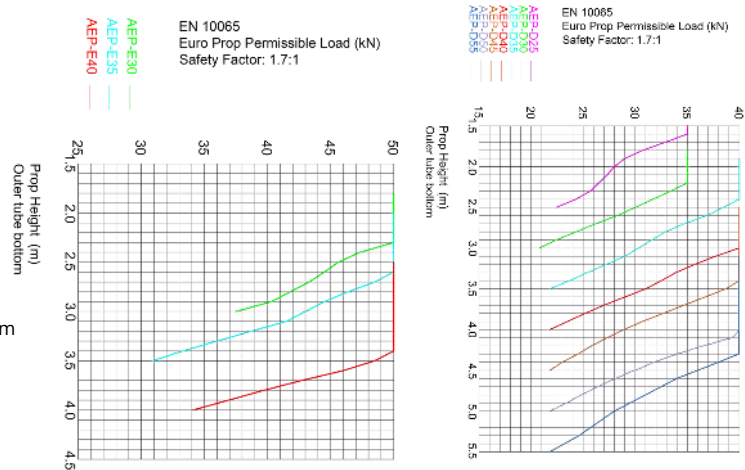
## HEAVY DUTY EURO PROP



### AEP-D, AEP-E

- ▶ Heavy duty work load at 20kN & 30 kN;
- ▶ For most of models: O.D.76.1/63.5mm materials;
- ▶ 100mm safe zone design;
- ▶ Forged Steel Nut
- ▶ Easy and fast adjustment thanks to the 12cm double start thread sleeve
- ▶ With reference to EN1065 standard;
- ▶ Carved fabrication date or batch no. for easy tracking;
- ▶ Bigger diameter outer and inner tubes (high tensile steel Q345);
- ▶ Anti-shear system, enabling it to work in safe conditions at all times;
- ▶ hot-dip galvanization finishing

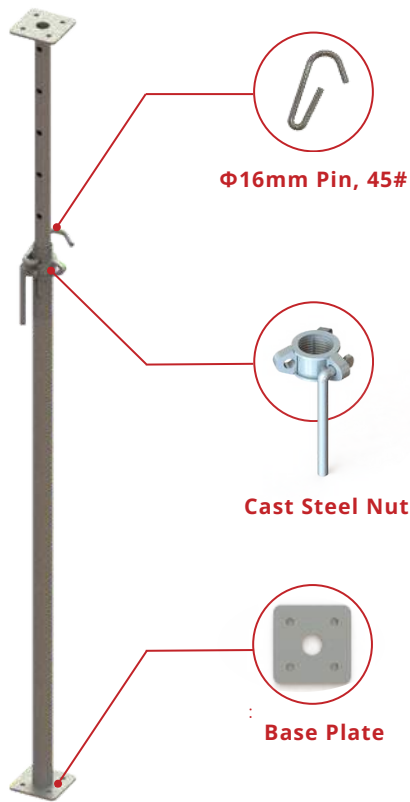
Shoring heights: 2.5/3.0/3.5/4.0/4.5/5.0/5.5m  
1.7 times safety factor within work load  
The work load of AEP-D is 20 kN  
The work load of AEP-E is 30 kN  
Outer Dimension: 76.1/ 63.5 mm  
High tensile steel tube Q355



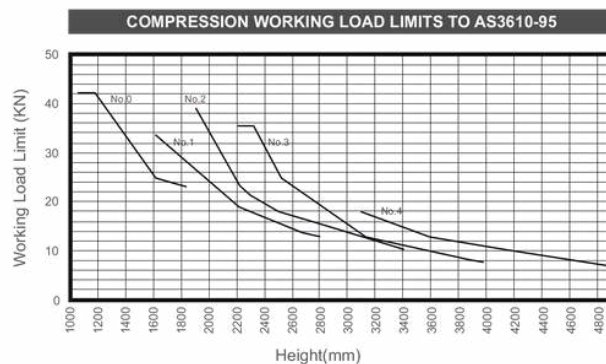
| Part No.                        | Outer Tube | Inner Tube | Height    | Unit Weight | Min. load-bearing capacity | Max. load-bearing capacity |
|---------------------------------|------------|------------|-----------|-------------|----------------------------|----------------------------|
|                                 | (mm)       | (mm)       |           |             |                            |                            |
| Heavy Duty Euro Slab Prop AEP-D |            |            |           |             |                            |                            |
| AEP-D25                         | Φ76.1*2.6  | Φ63.5*2.6  | 1465-2500 | 16.4        | 20                         | 35                         |
| AEP-D30                         | Φ76.1*2.6  | Φ63.5*2.6  | 1715-3000 | 18.6        | 20                         | 35                         |
| AEP-D35                         | Φ76.1*2.6  | Φ63.5*2.6  | 1965-3500 | 20.8        | 20                         | 40                         |
| AEP-D40                         | Φ76.1*2.6  | Φ63.5*2.9  | 2215-4000 | 24.2        | 20                         | 40                         |
| AEP-D45                         | Φ76.1*2.6  | Φ63.5*2.9  | 2465-4500 | 26.5        | 20                         | 40                         |
| AEP-D50                         | Φ76.1*2.6  | Φ63.5*3.0  | 2715-5000 | 28.9        | 20                         | 40                         |
| AEP-D55                         | Φ88.9*2.6  | Φ76.1*3.0  | 2965-5500 | 41.3        | 20                         | 40                         |
| Heavy Duty Euro Slab Prop AEP-E |            |            |           |             |                            |                            |
| AEP-E25                         | Φ76.1*2.6  | Φ63.5*2.8  | 1465-2500 | 17.3        | 30                         | 50                         |
| AEP-E30                         | Φ76.1*2.6  | Φ63.5*2.9  | 1715-3000 | 20.2        | 30                         | 50                         |
| AEP-E35                         | Φ76.1*2.6  | Φ63.5*3.9  | 1965-3500 | 25.4        | 30                         | 50                         |
| AEP-E40                         | Φ88.9*2.6  | Φ76.1*3.0  | 2215-4000 | 30.5        | 30                         | 50                         |
| AEP-E45                         | Φ88.9*2.6  | Φ76.1*3.0  | 2465-4500 | 33.2        | 30                         | 50                         |

# SHORING PROP

## ACROW PROP



- ▶ Load capacity: 20 kN;
- ▶ Conform to EN1065 Standard;
- ▶ Cast steel adjustment ring nut, suitable for millimetric adjustment;
- ▶ inner holes obtained using machines capable of perfectly machining them;
- ▶ outer threading obtained by means of rolling-forming, hence guaranteeing the wholeness of the material without removing any material;
- ▶ Upper plates are available in three versions (plate, transom, or fork);
- ▶ High-resistance safety hooks for fixing between the inner and outer tubes;
- ▶ Anti-shear system, enabling it to work in safe conditions at all times;
- ▶ Powder Coating and hot-dip galvanization finishing for option



- ▶ Working load limits are applicable to Acrow Props made from APAC Scaffold only.
- ▶ Safety factor = 1.5
- ▶ Refer to EN1065 & AS3610 for acceptable criteria for the installation of props and eccentricity of loading. Load eccentricity must not exceed 25mm.
- ▶ Outer and inner diameter 60.3 mm and 48.3 mm
- ▶ Inner tube is made from high tensile steel profiles Q355

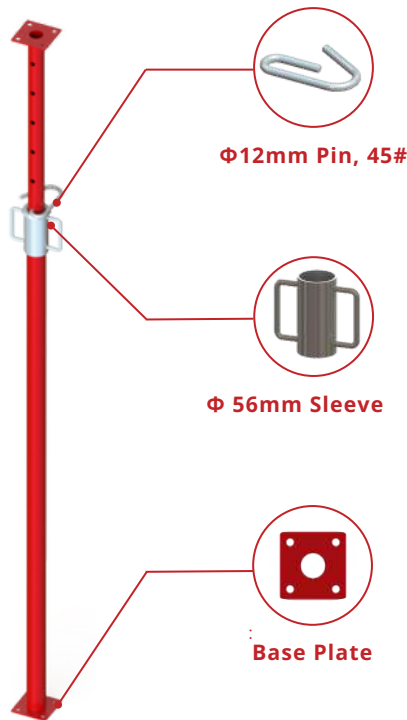
ACROW Props are designed to be durable and long-lasting, Our Acrow props are made from high-quality steel, ensuring that they can withstand heavy loads and withstand the rigors of construction projects. The Acrow props ensures that customers can reuse them multiple times, maximizing their investment.

Acrow props are easy to install and dismantle, which helps reduce labor costs and save time. With their simple design and user-friendly adjustment mechanisms, workers can quickly set up and remove acrow props, optimizing productivity and minimizing downtime.

| Part No. | Outer Tube | Inner Tube | Closed Height | Closed Height | Open Height | Open Height | Unit Weight | Unit Weight |
|----------|------------|------------|---------------|---------------|-------------|-------------|-------------|-------------|
|          | (mm)       | (mm)       | (mm)          | (inch)        | (mm)        | (inch)      |             |             |
| ACP-#0   | 60.3x2.8   | 48.3x3.5   | 1060          | 3'6"          | 1830        | 6'          | 12.4        | 27.3        |
| ACP-#1   | 60.3x2.8   | 48.3x3.5   | 1750          | 5'9"          | 3120        | 10'3"       | 16.3        | 35.9        |
| ACP-#2   | 60.3x2.8   | 48.3x3.5   | 1980          | 6'6"          | 3350        | 11'         | 18.6        | 40.9        |
| ACP-#3   | 60.3x3.0   | 48.3x3.5   | 2590          | 8'6"          | 3960        | 13"         | 23.9        | 52.6        |
| ACP-#4   | 60.3x3.2   | 48.3x4.0   | 3200          | 10'6"         | 4880        | 16"         | 28.6        | 62.9        |

# SHORING PROP

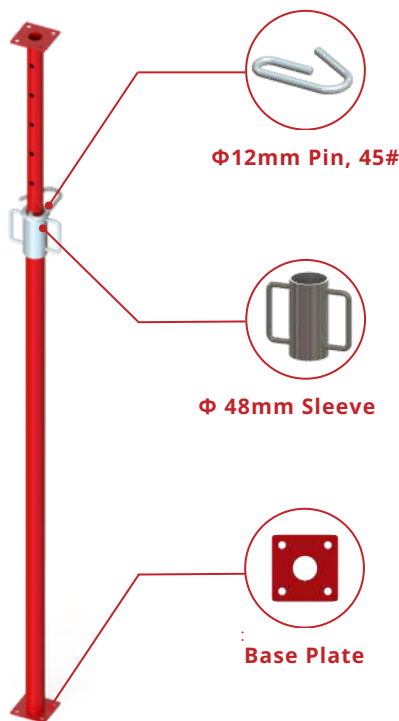
## LIGHT DUTY PROP



### ITALIAN PROP

- ▶ Load capacity: 10 kN
- ▶ Internal holes drilled every 125mm for strut adjustment;
- ▶ Internal and external tubes made of S235JR steel according to UNI EN 10219;
- ▶ Threaded adjustment sleeve with welded handle for 8 mm pitch;
- ▶ External thread screwed directly onto the outer tube or welded, obtained by roll forming, i.e. without material removal;
- ▶ Lower plate, available in flat or round version;
- ▶ Upper plates are available in three versions (plate, transom, or fork);
- ▶ High-resistance safety hooks for fixing between the inner and outer tubes;
- ▶ Anti-shear system, enabling it to work in safe conditions at all times;

| Part No. | Adjustable Range | Out Tube | Inner Tube | Wall Thickness |
|----------|------------------|----------|------------|----------------|
|          | (m)              | (mm)     | (mm)       | (mm)           |
| AIP-30   | 1.7-3.0          | 56       | 48         | 1.6            |
| AIP-32   | 1.8-3.2          | 56       | 48         | 1.6            |
| AIP-36   | 2.0-3.6          | 56       | 48         | 1.6            |
| AIP-40   | 2.2-4.0          | 56       | 48         | 1.6            |



### SPANISH PROP

- ▶ Load capacity: 8-10 kN
- ▶ Internal holes drilled every 125mm for strut adjustment;
- ▶ Internal and external tubes made of S235JR steel according to UNI EN 10219;
- ▶ Threaded adjustment sleeve with welded handle for 8 mm pitch;
- ▶ External thread screwed directly onto the outer tube or welded, obtained by roll forming, i.e. without material removal;
- ▶ Lower plate, available in flat or round version;
- ▶ Upper plates are available in three versions (plate, transom, or fork);
- ▶ High-resistance safety hooks for fixing between the inner and outer tubes;
- ▶ Anti-shear system, enabling it to work in safe conditions at all times;

| Part No. | Adjustable Range | Out Tube | Inner Tube | Wall Thickness |
|----------|------------------|----------|------------|----------------|
|          | (m)              | (mm)     | (mm)       | (mm)           |
| ASP-11   | 0.6-1.1          | 48       | 40         | 1.6            |
| ASP-14   | 0.8-1.4          | 48       | 40         | 1.6            |
| ASP-18   | 1.0-1.8          | 48       | 40         | 1.6            |
| ASP-29   | 1.6-2.9          | 48       | 40         | 1.6            |
| ASP-32   | 1.8-3.2          | 48       | 40         | 1.6            |
| ASP-36   | 2.0-3.6          | 48       | 40         | 1.6            |
| ASP-40   | 2.2-4.0          | 48       | 40         | 1.6            |