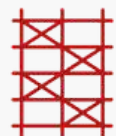




# RINGLOCK SYSTEM PRODUCT CATALOG

NORTH AMERICA

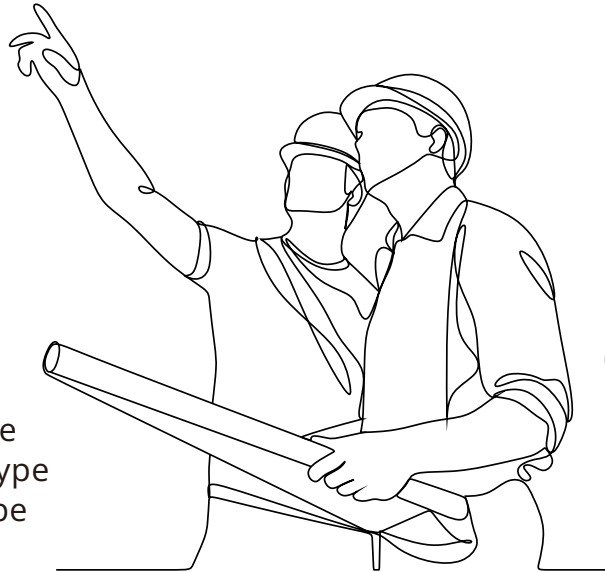
[www.apacscaffold.com](http://www.apacscaffold.com)



**SCAFFOLDING**  
— BY APAC GROUP —

# TABLE OF CONTENTS

<b>INTRODUCTION</b>	<b>02</b>
<b>OVERVIEW</b>	<b>03-05</b>
<b>COMPONENTS</b>	<b>06-41</b>



RINGLOCK Standard	06
RINGLOCK Ledger O-Type	07-08
RINGLOCK Truss Ledger O-Type	09
RINGLOCK Transoms MID Transom O-Type	10
RINGLOCK Ledger to Plank Transoms O-Type	11
RINGLOCK Plank to Plank Transoms O-Type	12
Ringlock Bay Brace	13
Ringlock Clamp Brace	14
Lattice Girder	15-16
Work Platforms	17
Infill Plank	18
Interlocking Toeboard	19
Ringlock Side Bracket	20-21
Starter/ Base Collar	22
Adjustable Base Jack	23
Swivel Base Jack	24
Adjustable Caster Adapert	25
Caster Wheel	26
Guardrail Post/Standard	27
Adjustable Swing Gates	28
Stair Stringer	29
Stair Tread	30
Ladder	31
Ladder Bracket	32
Ringlock Adapter Clamp	33
Right Angle Adapter Clamp	34
Wedge Head Swivel Coupler	35
Wedge Head Coupler	36
Rosette Clamp	37
Right Angle Clamp	38
Swivel Clamp	39
Scaffold Rack	40
Scaffold Cage Insert	41

# ABOUT

## APAC SCAFFOLD



Founded in 2004, APAC scaffold specializes in supplying of system scaffolding & falseworks.

The company has always strived to set and maintain the very highest of standard in safety and the supply of the highest quality formwork and scaffolding components.

Our key products: Ringlock scaffolding system, Cuplock scaffolding system, Aluminum scaffolding system, Shoring props and Formwork Products. Focus on the technical development and to meet the needs of our customers we adopt a lot of new technology and inspirational ideas to our products.

Our scaffoldings which are widely used in residential, shipbuilding, mining, insulation, oil & petroleum, airports, bridges etc.

# OVERVIEW

## APAC'S Capabilities

### [ EXPERTISE ]

Between most of our team members we have decades of experience in the industry. Many sales are mechanical background, can better understand the customer's project needs, in our view, this is very important in international trade, is conducive to less customer communication costs.

In dealing with us, you have the benefit of dealing with an experienced, professional, and motivated team who's committed to attention to detail, working to a budget, a timeline and qualified products.

### [ PRODUCTIVITY ]

APAC Scaffold is a professional construction material supplier, producing various equipment for construction industry, such as Aluminium scaffolding, ringlock scaffolding, cuplock scaffolding, shoring prop, and related accessories.

We operate professional production workshops and equipment, including punching machines, welding machines, pipe cutting machines, shearing machines, bending machines, screw machines etc. After years of hard work, we can produce up to 30,000 tons of equipments annually and our products are sold in many countries.

### [ QUALITY ASSURANCE ]

We have established a quality assurance department to make sure that our products meet customer requirements. Based on the ISO9001 Quality Management System, our professional team strictly examines every procedure, from supplier verification to examination of raw materials, production, and finished products, to ensure the high quality of products.

We fully understand the scaffolding standard such as EN12811, EN12810, AS/NZS1576.2, ANSI/SSFI SC100-5/05, NCH2501, GOST 27321-2018 and GOST 24258-88 for different countries.

# OVERVIEW

## Product Traceability

All APAC scaffold componets are stamped with traceability marks.

### KEY |

**Batch Number : APACYYXXXX**

**APAC= APAC Scaffold**

**YY= Year of Manufacture**

**XXXX= Order Number**

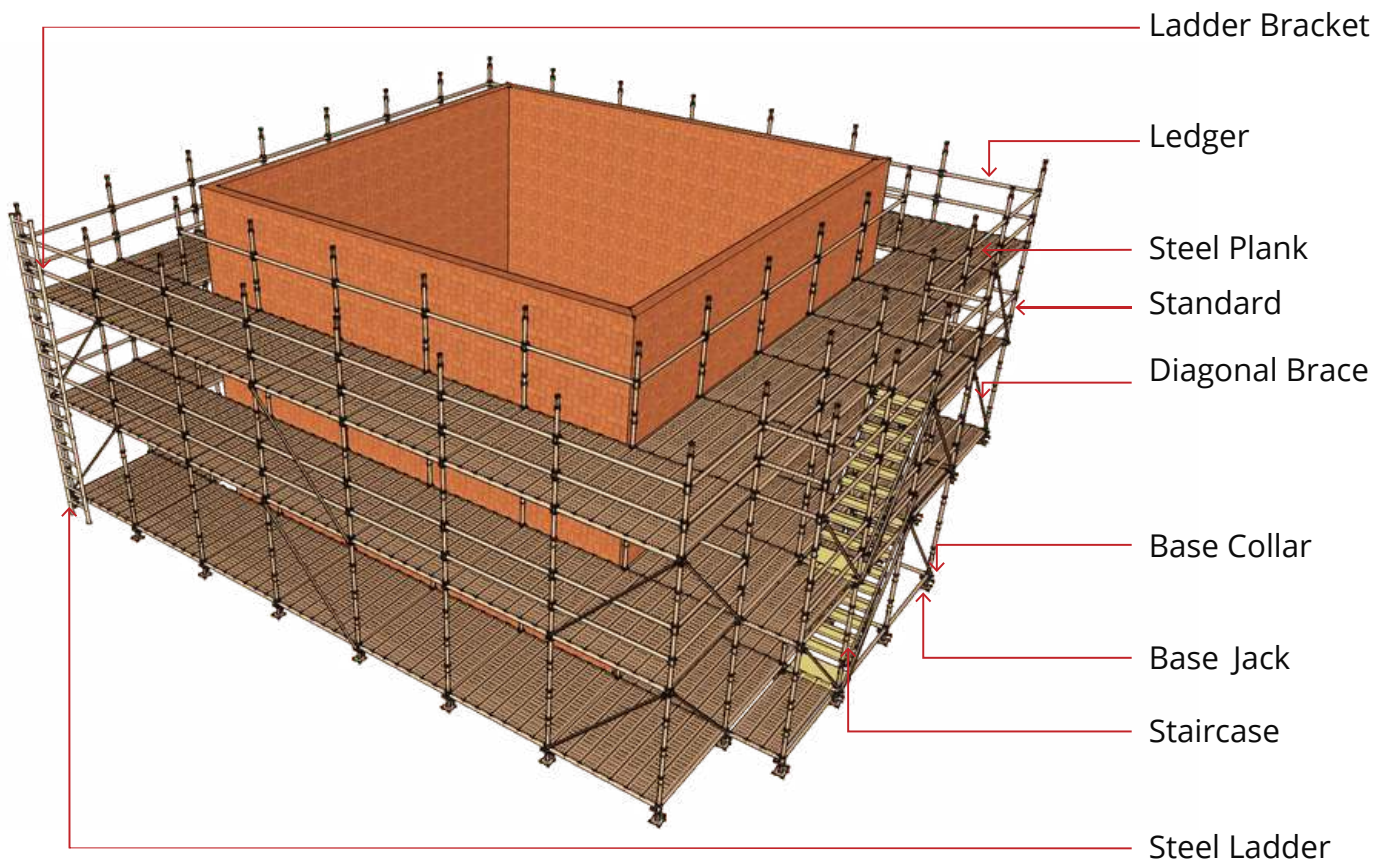


# OVERVIEW

## Components

### Component Identification

The diagram below shows the most common Ringlock components used. Most scaffolding structures are made from these basic components, however, the Ringlock system comes with a variety of accessories to meet all your scaffolding requirements.



The above illustration highlights APAC Scaffold's access solutions.

APAC Scaffold offers the following access solutions:

- Ringlock Steel Stair Tower
- Aluminium Platform Stairs
- Internal Steel or Aluminium Ladders used with Swing Gates, Plank-To-Plank Transoms, Ledger-To-Plank Transoms or Ladder Access Transoms.

# RINGLOCK

## Ringlock Standard

Ringlock Standard (Vertical) has rosettes at 500mm interval, Tube size: OD48.3x3.2mm, Steel Grade:S235 or S355. Surface treatment: Hot dip galvanized.



Item No.	Description	Height	Weight		Packaging	
		Meters	kgs	Lbs	Qty.	Type
AS-RS30	6 Ring Standard 3.0M (9'9") w/ spigot	3.0	14.5	31.90	100	Rack
AS-RS25	5 Ring Standard 2.5M (8'2") w/ spigot	2.5	12.3	27.06	100	Rack
AS-RS20	4 Ring Standard 2.0M (6'6") w/ spigot	2.0	9.8	21.56	100	Rack
AS-RS15	3 Ring Standard 1.5M (4'11") w/ spigot	1.5	7.5	16.50	100	Rack
AS-RS10	2 Ring Standard 1.0M (3'3") w/ spigot	1.0	5.2	11.44	100	Rack
AS-RS05	1 Ring Standard 0.5M (1'8") w/ spigot	0.5	2.9	6.38	200	Rack

# RINGLOCK

## Ringlock Ledger O-Type

Ringlock Ledger, Tube size: OD48.3x3.2mm, Steel Grade:S235 or S355. Surface treatment: Hot dip galvanized.



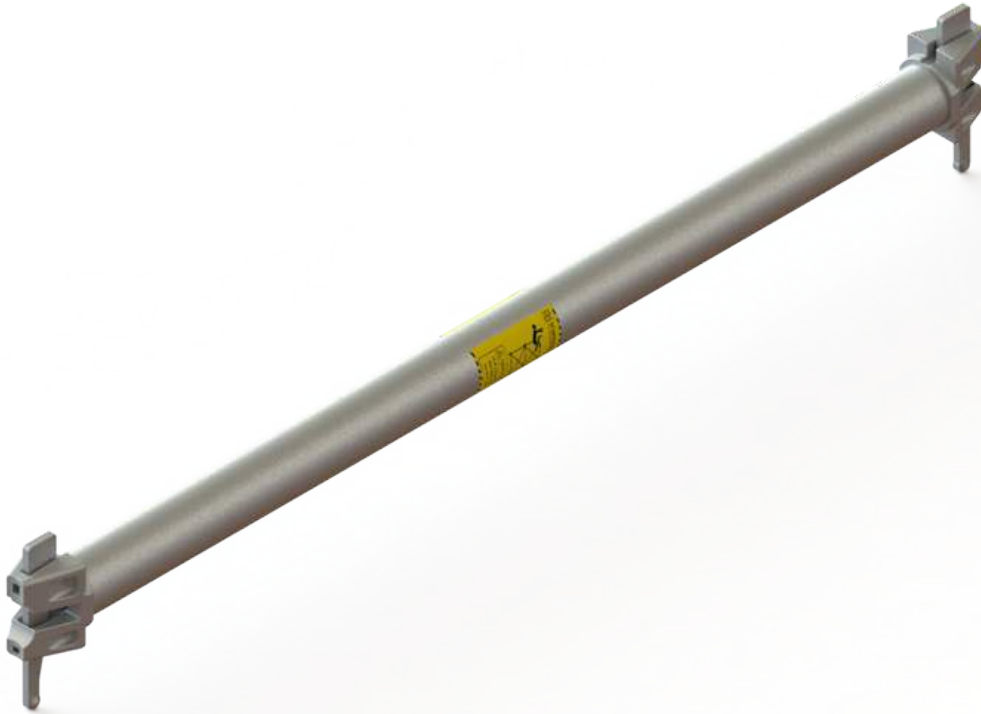
Item No.	Description	Length		Weight		Packaging	
		Feet	Meters	kgs	Lbs	Qty.	Type
AS-RL0100	1' Ledger O-Type 300mm	1'-0"	0.30	1.65	3.63	150	Rack
AS-RL0200	2' Ledger O-Type 610mm	2'-0"	0.61	2.80	6.16	150	Rack
AS-RL0220	2'-2" Ledger O-Type 650mm	2'-2"	0.65	2.90	6.38	150	Rack
AS-RL0210	2'-10" Ledger O-Type 880mm	2'-10"	0.88	3.70	8.14	150	Rack
AS-RL0300	3' Ledger O-Type 914mm	3'-0"	0.91	3.80	8.36	150	Rack
AS-RL0310	3'-10" Ledger O-Type 1150mm	3'-10"	1.15	4.40	9.68	150	Rack
AS-RL0400	4'-0" Ledger O-Type 1220mm	4'-0"	1.22	4.70	10.34	150	Rack
AS-RL0430	4'-3" Ledger O-Type 1286mm	4'-3"	1.29	4.90	10.78	150	Rack
AS-RL0410	4'-10" Ledger O-Type 1484mm	4'-10"	1.48	5.20	11.44	150	Rack
AS-RL0500	5'-0" Ledger O-Type 1520mm	5'-0"	1.52	6.00	13.20	150	Rack



# RINGLOCK

## Ringlock Ledger O-Type

Ringlock Ledger, Tube size: OD48.3x3.2mm, Steel Grade:S235 or S355. Surface treatment: Hot dip galvanized.



Item No.	Description	Length		Weight		Packaging	
		Feet	Meters	kgs	Lbs	Qty.	Type
AS-RL0520	5'-2" Ledger O-Type 1572mm	5'-2"	1.57	6.20	13.64	150	Rack
AS-RL0540	5'-4" Ledger O-Type 1625mm	5'-4"	1.63	6.40	14.08	150	Rack
AS-RL0600	6'-0" Ledger O-Type 1828mm	6'-0"	1.83	7.10	15.62	150	Rack
AS-RL0690	6'-9" Ledger O-Type 2072mm	6'-9"	2.07	8.00	17.60	150	Rack
AS-RL0700	7'-0" Ledger O-Type 2130mm	7'-0"	2.13	8.20	18.04	150	Rack
AS-RL0800	8'-0" Ledger O-Type 2440mm	8'-0"	2.44	9.30	20.46	150	Rack
AS-RL0860	8'-6" Ledger O-Type 2572mm	8'-6"	2.57	9.90	21.78	150	Rack
AS-RL0900	9'-0" Ledger O-Type 2743mm	9'-0"	2.74	10.30	22.66	150	Rack
AS-RL1000	10'-0" Ledger O-Type 3050mm	10'-0"	3.05	11.40	25.08	150	Rack

# RINGLOCK

## Ringlock Truss Ledger O-Type

The Truss Ledger is engineering to enable higher service loads to the working platform. Tube size: OD48.3x3.2mm, Steel Grade:S235 or S355. Surface treatment: Hot dip galvanized.



Item No.	Description	Length		Weight		Packaging	
		Feet	Meters	kgs	Lbs	Qty.	Type
AS-RTL050	5'-0" Truss Ledger 1520mm	5'-0"	1.52	9.30	20.46	60	Rack
AS-RTL052	5'-2" Truss Ledger 1570mm	5'-2"	1.57	9.50	20.90	60	Rack
AS-RTL060	6'-0" Truss Ledger 1830mm	6'-0"	1.83	11.40	25.08	60	Rack
AS-RTL070	7'-0" Truss Ledger 2130mm	7'-0"	2.13	13.40	29.48	60	Rack
AS-RTL080	8'-0" Truss Ledger 2440mm	8'-0"	2.44	15.20	33.44	60	Rack
AS-RTL090	9'-0" Truss Ledger 2740mm	9'-0"	2.74	17.20	37.84	60	Rack
AS-RTL100	10'-0" Truss Ledger 3050mm	10'-0"	3.05	19.30	42.46	60	Rack

# RINGLOCK

## Ringlock MID Transom

The Mid Transom is designed to create a transom at the plank level anywhere inside of a bay by straddling the outer Ledgers / Transoms of a bay. Tube size: OD48.3x3.2mm, Steel Grade: S235 or S355. Surface treatment: Hot dip galvanized.



Item No.	Description	Length		Weight		Packaging	
		Feet	Meters	kgs	Lbs	Qty.	Type
AS-RMT0200	2'2" Mid Transomer O-Type 650mm	2'-2"	0.65	3.50	7.70	320	Rack
AS-RMT0210	2'-10 5/8" Mid Transom O-Type 880mm	2'-10"	0.88	4.30	9.46	160	Rack
AS-RMT0300	3' Mid Transom O-Type 910mm	3'-0"	0.91	4.50	9.90	160	Rack
AS-RMT0360	3'6" Mid Transomer O-Type 1065mm	3'-6"	1.065	5.10	11.22	160	Rack
AS-RMT0310	3'10" Mid Transomer O-Type 1150mm	3'-10"	1.15	5.30	11.66	160	Rack
AS-RMT0520	5'2" Mid Transomer O-Type 1570mm	5'-2"	1.57	6.80	14.96	160	Rack
AS-RMT0600	6' Mid Transomer O-Type 1830mm	6'-0"	1.83	7.70	16.94	160	Rack
AS-RMT0700	7' Mid Transomer O-Type 2130mm	7'-0"	2.13	8.80	19.36	160	Rack
AS-RMT0800	8' Mid Transomer O-Type 2440mm	8'-0"	2.44	9.90	21.78	160	Rack
AS-RMT1000	10' Mid Transomer O-Type 3050mm	10'-0"	3.05	12.10	26.62	160	Rack

# RINGLOCK

## Ringlock Ledger to Plank Transom

[ Ledger to Plank Transom O-Type ]

The Ledger to Plank Transom is used where ladder access opening is required on one side of the access platfor, or infill a gap in the platform. Tube size: OD48.3x3.2mm, Steel Grade: S235 or S355. Surface treatment: Hot dip galvanized.



Item No.	Description	Length		Weight		Packaging	
		Feet	Meters	kgs	Lbs	Qty.	Type
AS-RLPT0010	1 board Transom Ledger to Plank	10"	0.24	3.40	7.48	200	Rack+Insert
AS-RLPT0107	2 board Transom Ledger to Plank	1'-7"	0.48	4.20	9.24	200	Rack+Insert
AS-RLPT0204	3 board Transom Ledger to Plank	2'-4"	0.72	5.00	11.00	200	Rack+Insert

# RINGLOCK

## Ringlock Plank to Plank Transom

[ Plank to Plank Transom O-Type ]

The Plank to Plank Transom is used where ladder access opening is required on one side of the access platform, or infill a gap in the platform. Tube size: OD48.3x3.2mm, Steel Grade: S235 or S355. Surface treatment: Hot dip galvanized.



Item No.	Description	Length		Weight		Packaging	
		Feet	Meters	kgs	Lbs	Qty.	Type
AS-RPPT0010	1 board Plank to Plank Transom	10"	0.24	3.70	8.14	170	Rack+Insert
AS-RPPT0107	2 board Plank to Plank Transom	1'-7"	0.48	4.60	10.12	170	Rack+Insert
AS-RPPT0204	3 board Plank to Plank Transom	2'-4"	0.72	5.50	12.10	170	Rack+Insert

# RINGLOCK

## Ringlock Bay Brace

[ Bay Brace 2.0m Lift ]

The Diagonal Brace is used for the lateral bracing of Ringlock sca olds. Tube size: OD48.3x2.5mm, Steel Grade: S235 or S355. Surface treatment: Hot dip galvanized.



Item No.	Description	Length		Weight		Packaging	
		Feet	Meters	kgs	Lbs	Qty.	Type
AS-RBR0200	2'-0" Bay Brace 609mm	2'-0"	0.60	7.80	17.16	300	Rack
AS-RBR0202	2'-2" Bay Brace 650mm	2'-2"	0.65	7.85	17.27	300	Rack
AS-RBR0210	2'-10" Bay Brace 880mm	2'-10"	0.88	8.00	17.60	300	Rack
AS-RBR0300	3'-0" Bay Brace 910mm	3'-0"	0.91	8.05	17.71	150	Rack
AS-RBR0306	3'-6" Bay Brace 1065mm	3'-6"	1.065	8.20	18.04	150	Rack
AS-RBR0310	3'-10" Bay Brace 1150mm	3'-10"	1.15	8.30	18.26	150	Rack
AS-RBR0400	4'-0" Bay Brace 1220mm	5'-0"	1.22	8.40	18.48	150	Rack
AS-RBR0500	5'-0" Bay Brace 1520mm	5'-0"	1.52	8.90	19.58	150	Rack
AS-RBR0502	5'-2" Bay Brace 1570mm	5'-2"	1.57	9.00	19.80	150	Rack
AS-RBR0504	5'-4" Bay Brace 1625mm	5'-4"	1.625	9.05	19.91	150	Rack
AS-RBR0600	6'-0" Bay Brace 1830mm	6'-0"	1.83	9.40	20.68	150	Rack
AS-RBR0700	7'-0" Bay Brace 2130mm	7'-0"	2.13	10.0	22.00	150	Rack
AS-RBR0800	8'-0" Bay Brace 2440mm	8'-0"	2.44	10.6	23.32	150	Rack
AS-RBR0900	9'-0" Bay Brace 2740mm	9'-0"	2.74	11.3	24.86	150	Rack
AS-RBR1000	10'-0" Bay Brace 3050mm	10'-0"	3.05	12.4	27.28	150	Rack

# RINGLOCK

## Ringlock Clamp Brace

[ Swivel Clamp Brace 6'-6" (2.0m) Lift ]

The Bay Brace is used for the lateral bracing of Ringlock scaffolds. Tube size: OD48.3x3.2mm, Steel Grade: S235 or S355. Surface treatment: Hot dip galvanized.



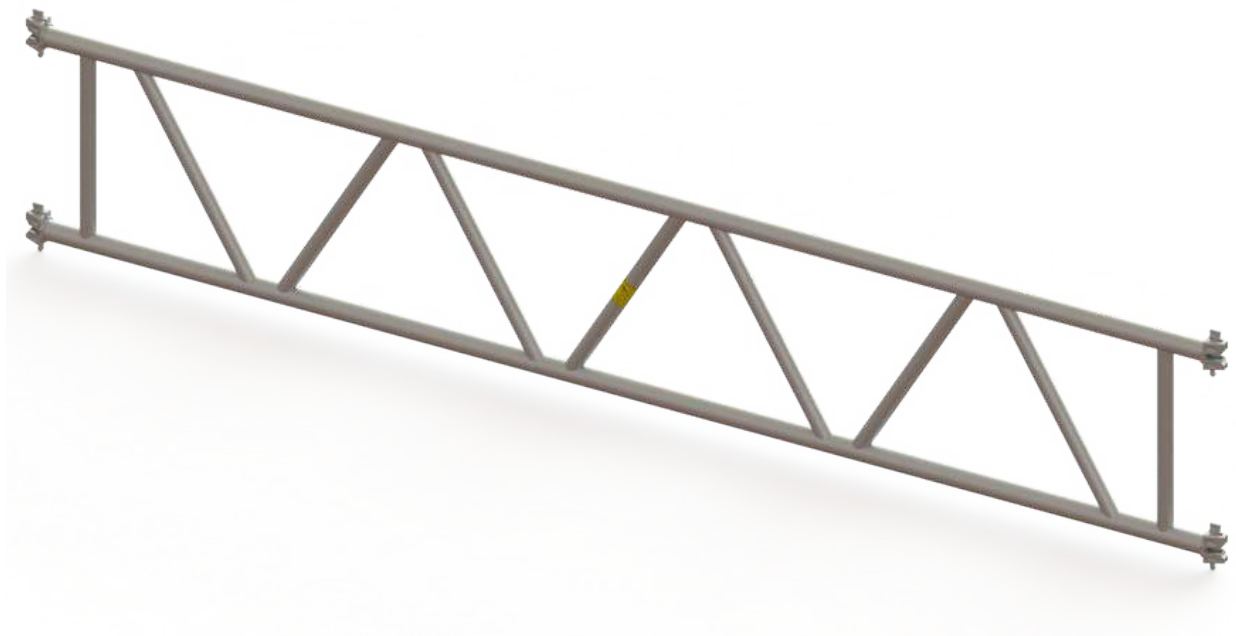
Item No.	Description	Length		Weight		Packaging	
		Feet	Meters	kgs	Lbs	Qty.	Type
AS-RSCB050	5'-0" Swivel Clamp Brace 1520mm	5'-0"	1.52	7.20	15.84	150	Rack
AS-RSCB070	7'-0" Swivel Clamp Brace 2130mm	7'-0"	2.13	9.60	21.12	150	Rack
AS-RSCB080	8'-0" Swivel Clamp Brace 2440mm	8'-0"	2.44	10.4	22.88	150	Rack
AS-RSCB100	10'-0" Swivel Clamp Brace 3050mm	10'-0"	3.05	11.6	25.52	150	Rack

# RINGLOCK

## Lattice Girder, No Spigot 19.7" (0.5m)

The Lattice Girder is a horizontal member of Ringlock scaffolding that allows for bridging over large spans of 14'-28'.

Steel Grade: S235 or S355. Surface treatment: Hot dip galvanized



Item No.	Description	Length		Weight		Packaging	
		Feet	Meters	kgs	Lbs	Qty.	Type
AS-RLGN10	10' Lattice Girder 3050mm (No Spigot)	10'	3.05	32	70.40	20	Bundle
AS-RLGN14	14' Lattice Girder 4270mm (No Spigot)	14'	4.27	46	101.2	20	Bundle
AS-RLGN16	16' Lattice Girder 4880mm (No Spigot)	16'	4.88	52	114.4	20	Bundle
AS-RLGN17	17' Lattice Girder 5180mm (No Spigot)	17'	5.18	55	121.0	20	Bundle
AS-RLGN21	21' Lattice Girder 6400mm (No Spigot)	21'	6.40	63	138.6	20	Bundle
AS-RLGN28	28' Lattice Girder 8530mm (No Spigot)	28'	8.53	94	206.8	20	Bundle

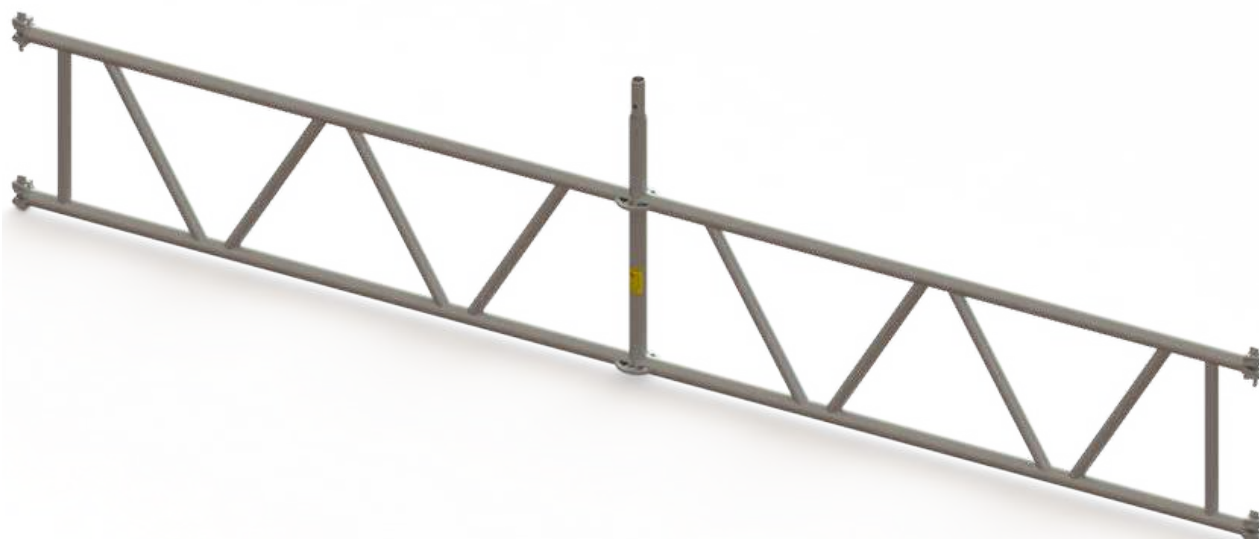


# RINGLOCK

## Lattice Girder, With Spigot 19.7" (0.5m)

The Lattice Girder is a horizontal member of Ringlock scaffolding that allows for bridging over large spans of 14'-28'.

Steel Grade: S235 or S355. Surface treatment: Hot dip galvanized.



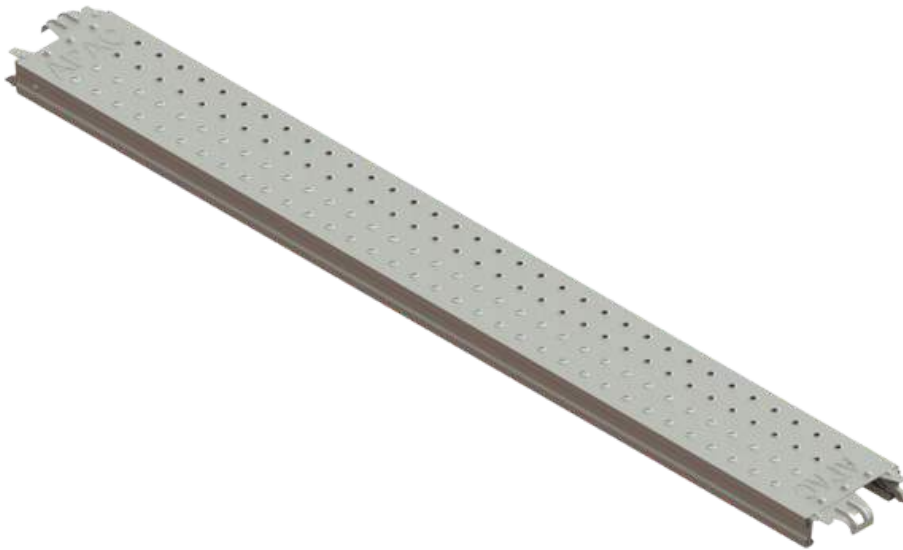
Item No.	Description	Length		Weight		Packaging	
		Feet	Meters	kgs	Lbs	Qty.	Type
AS-RLG14	14' Lattice Girder with Spigot 4270mm	14'	4.27	49	107.8	15	Bundle
AS-RLG17	17' Lattice Girder with Spigot 5180mm	17'	5.18	64	140.8	15	Bundle
AS-RLG21	21' Lattice Girder with Spigot 6400mm	21'	6.40	71	156.2	15	Bundle
AS-RLG28	28' Lattice Girder with Spigot 8530mm	28'	8.53	93	204.6	15	Bundle

# RINGLOCK

## Work Platforms

[ Low Profile Steel Plank 9.5" (240mm) ]

Ringlock Steel Plank, Width:9.5" (240mm), Height:70mm, Thickness:1.8mm. S235 Steel sheet, Surface treatment: Hot dip galvanized or Pre-galvanized.

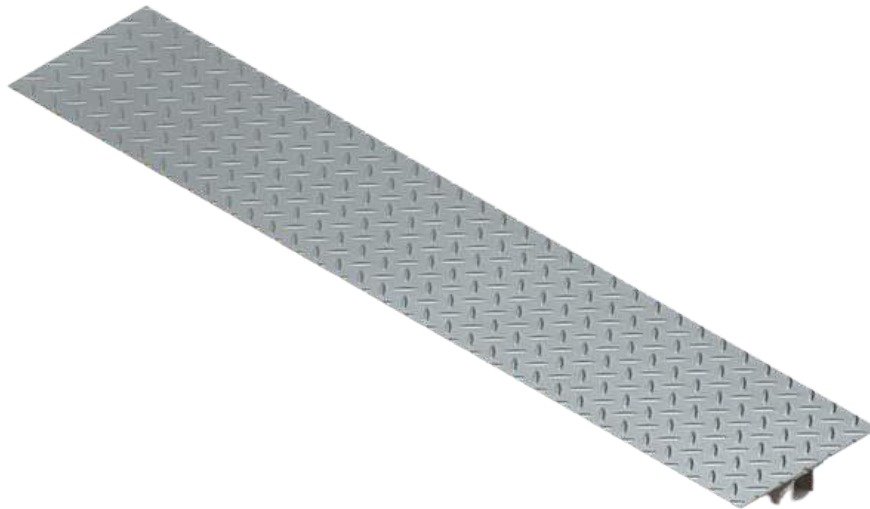


Item No.	Description	Length		Weight		Packaging	
		Feet	Meters	kgs	Lbs	Qty.	Type
AS-RLP0202	2'-2" Low Profile Steel Plank	2'-2"	0.65	5.50	12.10	120	Rack
AS-RLP0210	2'-10 5/8" Low Profile Steel Plank	2'-10"	0.88	6.90	15.18	120	Rack
AS-RLP0300	3' Low Profile Steel Plank	3'-0"	0.91	7.05	15.51	120	Rack
AS-RLP0306	3'-6" Low Profile Steel Plank	3'-6"	1.065	8.00	17.60	60	Rack
AS-RLP0310	3'-10" Low Profile Steel Plank	3'-10"	1.15	8.50	18.70	60	Rack
AS-RLP0400	4'-0" Low Profile Steel Plank	4'-0"	1.22	8.80	19.36	60	Rack
AS-RLP0500	5' Low Profile Steel Plank	5'-0"	1.52	10.7	23.54	60	Rack
AS-RLP0502	5'-2" Low Profile Steel Plank	5'-2"	1.57	11.0	24.20	60	Rack
AS-RLP0600	6' Low Profile Steel Plank	6'-0"	1.83	12.5	27.50	60	Rack
AS-RLP0700	7' Low Profile Steel Plank	7'-0"	2.13	14.5	31.90	60	Rack
AS-RLP0800	8' Low Profile Steel Plank	8'-0"	2.44	16.1	35.42	60	Rack
AS-RLP1000	10' Low Profile Steel Plank	10'-0"	3.05	19.8	43.56	60	Rack

# RINGLOCK

## Infill Plank

The Infill Plank is designed to fill any unwanted gaps between planks or bays. They provide a continuous, semi-solid work surface that prevents small tools, debris and other items from falling through the platform.

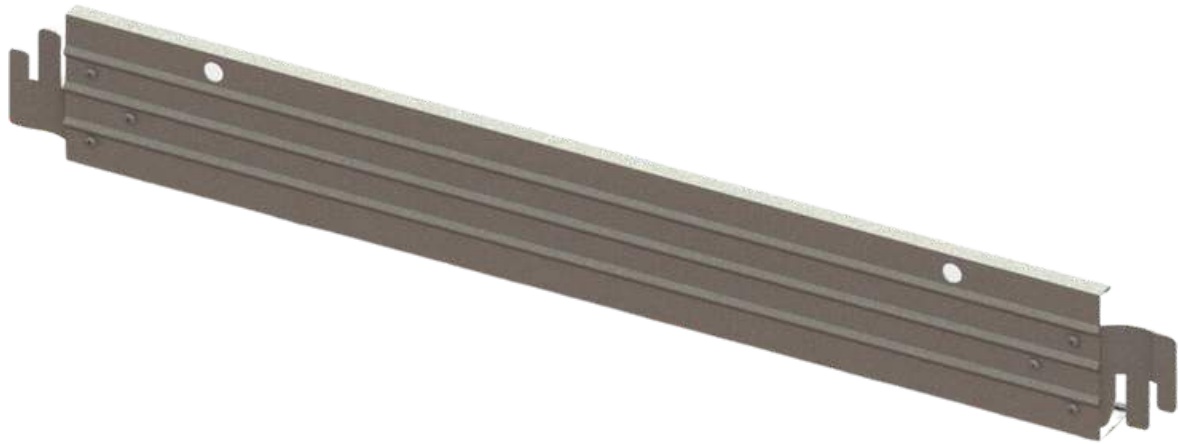


Item No.	Description	Length		Weight		Packaging	
		Feet	Meters	kgs	Lbs	Qty.	Type
AS-RIP0202	2'-2" Low Profile Steel Plank	2'-2"	0.65	2.40	5.28	270	Rack
AS-RIP0210	2'-10 5/8" Low Profile Steel Plank	2'-10"	0.88	3.45	7.59	270	Rack
AS-RIP0300	3' Low Profile Steel Plank	3'-0"	0.91	3.70	8.14	270	Rack
AS-RIP0306	3'-6" Low Profile Steel Plank	3'-6"	1.065	4.30	9.46	135	Rack
AS-RIP0310	3'-10" Low Profile Steel Plank	3'-10"	1.15	4.80	10.56	135	Rack
AS-RIP0400	4'-0" Low Profile Steel Plank	4'-0"	1.22	5.10	11.22	135	Rack
AS-RIP0500	5' Low Profile Steel Plank	5'-0"	1.52	6.60	14.52	135	Rack
AS-RIP0502	5'-2" Low Profile Steel Plank	5'-2"	1.57	6.80	14.96	135	Rack
AS-RIP0600	6' Low Profile Steel Plank	6'-0"	1.83	7.90	17.38	135	Rack
AS-RIP0700	7' Low Profile Steel Plank	7'-0"	2.13	9.20	20.24	135	Rack
AS-RIP0800	8' Low Profile Steel Plank	8'-0"	2.44	10.5	23.1	135	Rack
AS-RIP1000	10' Low Profile Steel Plank	10'-0"	3.05	13.5	29.7	135	Rack

# RINGLOCK

## Interlocking Toeboard

The interlocking toeboard is designed as the horizontal member connecting to provide a protection for scaffolding tools.



Item No.	Description	Length		Weight		Packaging	
		Feet	Meters	kgs	Lbs	Qty.	Type
AS-RIP0202	2'-2" Interlocking Toeboard	2'-2"	0.65	2.40	5.28	400	Rack
AS-RIP0210	2'-10 5/8" Interlocking Toeboard	2'-10"	0.88	3.05	6.71	400	Rack
AS-RIP0300	3'-0" Interlocking Toeboard	3'-0"	0.91	3.15	6.93	400	Rack
AS-RIP0306	3'-6" Interlocking Toeboard	3'-6"	1.065	3.60	7.92	200	Rack
AS-RIP0310	3'-10" Interlocking Toeboard	3'-10"	1.15	3.85	8.47	200	Rack
AS-RIP0400	4'-0" Interlocking Toeboard	4'-0"	1.22	4.00	8.80	200	Rack
AS-RIP0500	5' Interlocking Toeboard	5'-0"	1.52	4.95	10.89	200	Rack
AS-RIP0502	5'-2" Interlocking Toeboard	5'-2"	1.57	5.10	11.22	200	Rack
AS-RIP0600	6' Interlocking Toeboard	6'-0"	1.83	5.85	12.87	200	Rack
AS-RIP0700	7' Interlocking Toeboard	7'-0"	2.13	6.75	14.85	200	Rack
AS-RIP0800	8' Interlocking Toeboard	8'-0"	2.44	7.65	16.83	200	Rack
AS-RIP1000	10' Interlocking Toeboard	10'-0"	3.05	9.45	20.79	200	Rack

# Ringlock Side Bracket

[ Side/Hop-up Bracket O-Type ]

The side/hop-up bracket is used to extend the working platform closer to the building structure. Steel Grade: S235 or S355. Surface treatment: Hot dip galvanized.



**1 BOARD SIDE BRACKET**



**2/3 BOARD SIDE BRACKET**

Item No.	Description	Length		Weight		Packaging	
		Feet	Meters	kgs	Lbs	Qty.	Type
AS-RSB01	Side Bracket 1 board	1"	0.31	1.75	3.85	110	Rack
AS-RSB02	Side Bracket 2 board	2'-2"	0.65	5.70	12.54	65	Rack
AS-RSB03	Side Bracket 3 board	2'-10"	0.88	9.40	20.68	50	Rack

# RINGLOCK

## Ringlock Side Bracket

[ Side/Console Bracket O-Type ]

The side/hop-up bracket is used at the edge of a scaffold to extend or widen the working platform. Steel Grade: S235 or S355. Surface treatment: Hot dip galvanized.



Item No.	Description	Length		Weight		Packaging	
		Feet	Meters	kgs	Lbs	Qty.	Type
AS-RSB01	3'-6" Side/Console Bracket O-Type	3'-6"	1.065	12.60	27.72	24	Rack
AS-RSB02	3'-7" Side/Console Bracket O-Type	3'-7"	1.09	12.70	27.94	24	Rack
AS-RSB03	3'-10" Side/Console Bracket O-Type	3'-10"	1.15	12.80	28.16	24	Rack

# RINGLOCK

## Starter/ Base Collar

The base collar is the beginning of the Ringlock scaffolding system. It sits upon a fixed or adjustable base.



Item No.	Description	Length		Weight		Packaging	
		Feet	Meters	kgs	Lbs	Qty.	Type
AS-RBC	Starter/Base Collar	1'-0"	0.3	1.8	3.96	385	Rack

# RINGLOCK

## Adjustable Base Jack

Ringlock adjustable base jack is used for leveling the sca old-standards at the same height. OD: 38.1x4.5mm. Base plate: 150x150x6mm. Surface treatment: Hot dip galva- nized or Electroplated.



Item No.	Description	Length		Weight		Packaging	
		Feet	Meters	kgs	Lbs	Qty.	Type
AS-BJ24	24" Adjustable Base Jack	2'	0.6	3.5	7.7	220	Rack



# RINGLOCK

## Swivel Base Jack

The swivel base jack can be used when standards need to be placed on slopes. OD: 38.1x4.5mm. Base plate: 150x150x6mm. Surface treatment: Hot dip galvanized or Elec- troplated.



Item No.	Description	Length		Weight		Packaging	
		Feet	Meters	kgs	Lbs	Qty.	Type
AS-SBJ24	24" Swivel Base Jack	2'	0.6	3.8	8.36	220	Rack

# RINGLOCK

## Adjustable Caster Adapter

Caster Adapter is mainly used for connecting caster wheel to the vertical pole.



Item No.	Description	Length		Weight		Packaging	
		Feet	Meters	kgs	Lbs	Qty.	Type
AS-RACA	Adjustable Caster Adapert	9-3/4"	0.25	4.0	8.80	144	Rack

# RINGLOCK

## Caster Wheel

Scaffolding caster wheel is used at bottom of scaffolding vertical tube, enabling the scaffolding system to be a mobile Platform.



Item No.	Description	Length		Weight		Packaging	
		Feet	Meters	kgs	Lbs	Qty.	Type
AS-CW08	Caster Wheel 8"	8"	0.2	6.0	13.2	100	Rack
AS-CW12	Caster Wheel 12"	12"	0.3	16.0	35.2	40	Rack

# RINGLOCK

## Guardrail Post/Standard

The guardrail Standard is designed to provide a vertical connection to secure Ledger. Surface treatment: Hot dip galvanized.



Item No.	Description	Length		Weight		Packaging	
		Feet	Meters	kgs	Lbs	Qty.	Type
AS-RGP	1.7M Guardrail Post	5'-6"	1.7	8.7	19.14	70	Rack

# RINGLOCK

## Adjustable Swing Gates

The Adjustable Swing Gate is designed as a safety gate, providing the necessary fall prevention for safe scaffold access. Adjustable Swing Gates adjust from 3'-1" to 4'-10" (0.95m-1.49m).

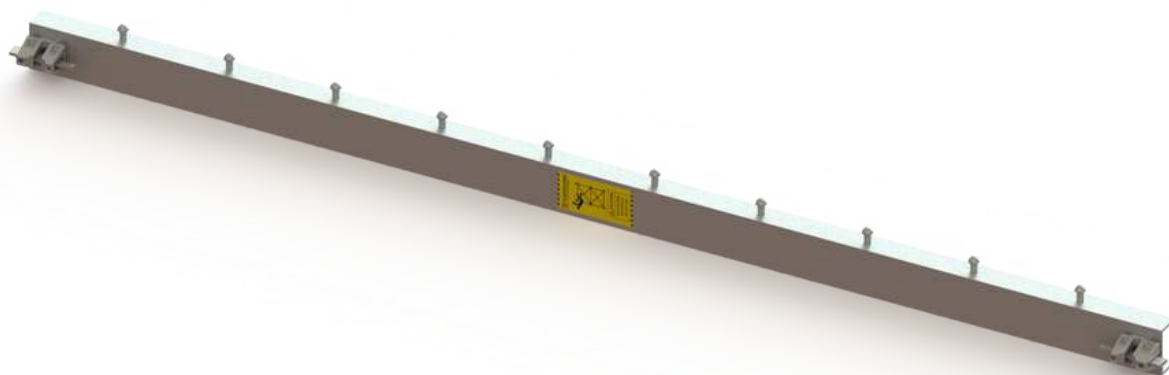


Item No.	Description	Length		Weight		Packaging	
		Feet	Meters	kgs	Lbs	Qty.	Type
AS-ASG	Adjustable Swing Gate	1'-8"	0.5	8.7	19.14	34	Rack

# RINGLOCK

## Stair Stringer

The Steel Stair Stringer is the diagonal member of the 10-Leg Steel Stair System. The Stringer must be used in pairs in order to support the Stair Treads. The Stringer is used for a typical 6'-6" (2.0m) lift height and is also available for a 3'-3" (1.0m) lift height.

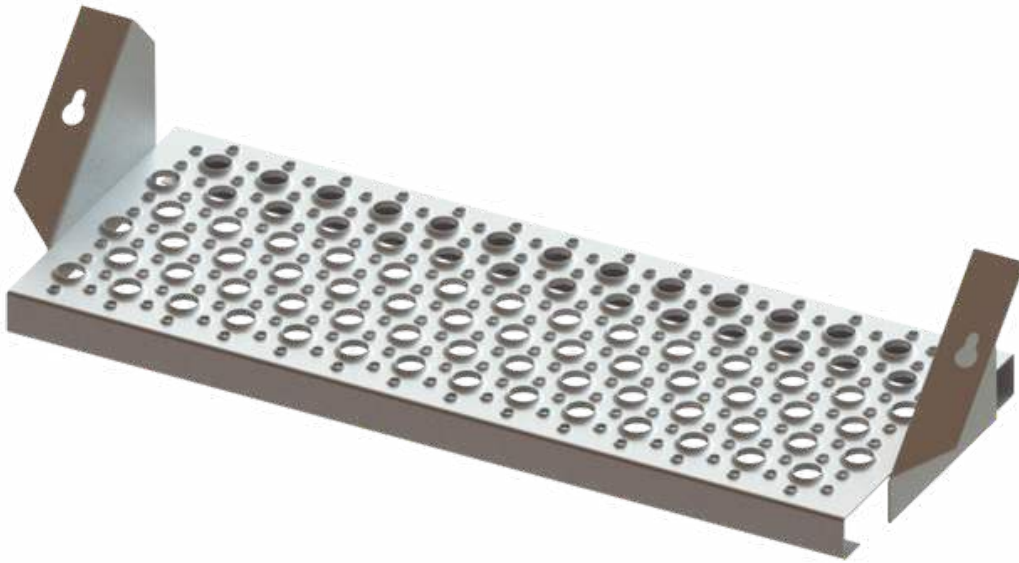


Item No.	Description	Length		Weight		Packaging	
		Feet	Meters	kgs	Lbs	Qty.	Type
AS-RSS0303	Stair Stringer 3'-3"(1.0m Lift)	3'-3"x 3'-6"	1.00x 1.065	9.0	19.8	110	Rack
AS-RSS0606	Stair Stringer 6'-6" (2.0m Lift)	6'-6"x 7'-0"	2.0x 2.13	16.0	35.2	110	Rack

# RINGLOCK

## Stair Tread

The Stair Tread is designed as the horizontal member connecting to the Stair Stringers (both 1.0m and 2.0m lift) providing the steps of the stair system.

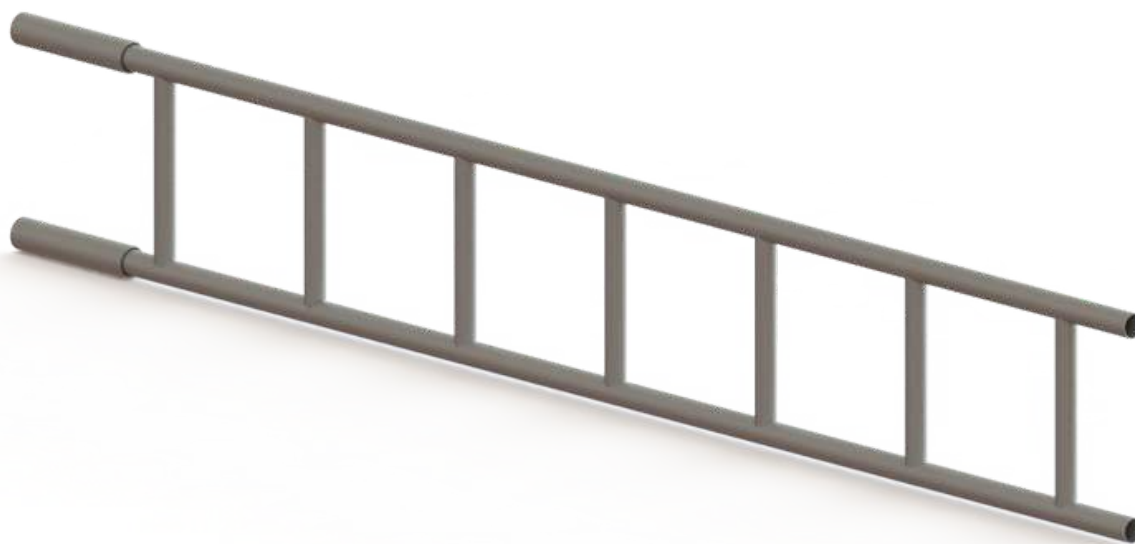


Item No.	Description	Length		Weight		Packaging	
		Feet	Meters	kgs	Lbs	Qty.	Type
AS-RSS0303	32" Stair Tread	32"	0.81	8.35	18.37	69	Rack + Insert

# RINGLOCK

## Ladder

The Ladder is designed to attach (using Ladder Brackets) on the inside or outside of a scafold to provide safe access to the various deck levels.



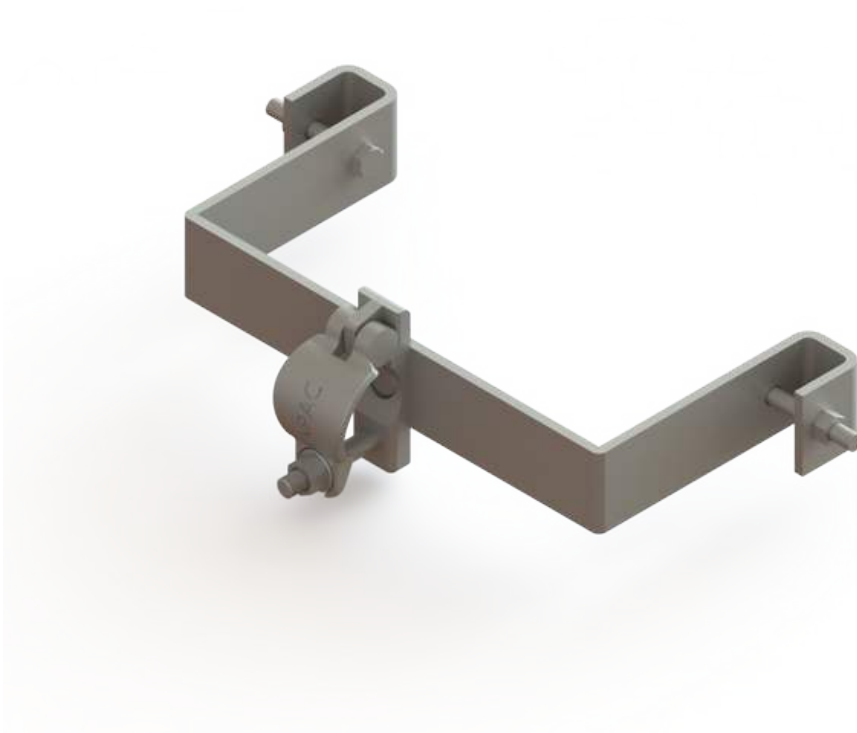
Item No.	Description	Length		Weight		Packaging	
		Feet	Meters	kgs	Lbs	Qty.	Type
AS-L03	3' Ladder	3'	0.91	6.5	14.30	25	Rack
AS-L05	5' Ladder	5'	1.52	10.2	22.44	25	Rack



# RINGLOCK

## Ladder Bracket

The Ladder bracket is designed to attach the ladders to the vertical or horizontal members of the scaffold tower.



Item No.	Description	Length		Weight		Packaging	
		Feet	Meters	kgs	Lbs	Qty.	Type
AS-LB	Ladder Bracket	1'-5"	0.43	3.20	7.04	170	Rack

# RINGLOCK

## Ringlock Adapter Clamp

The spigot Adapter Clammp (I-Bolt) allows the connecction of Ringlcok Standards at intermediate locations along the length of O-Type Ledgers, Truss Ledgers and Girders.

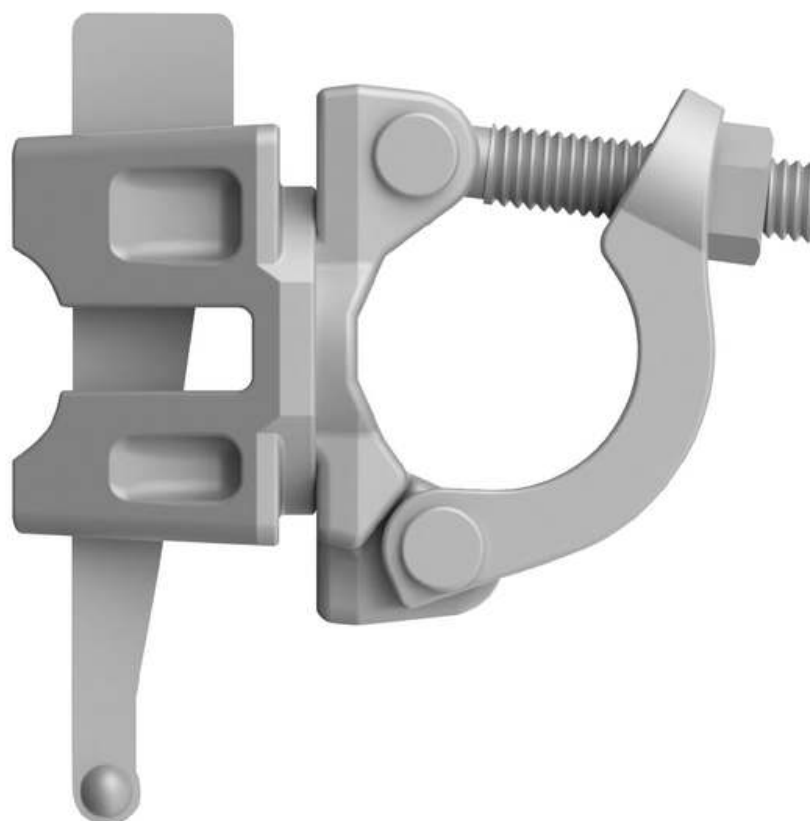


Item No.	Description	Weight		Packaging	
		kgs	Lbs	Qty.	Type
AS-RSC	Spigot Adapter Clamp (I- Bolt)	1.86	4.09	500	Rack + Insert

# RINGLOCK

## Right Angle Adapter Clamp

The right angle wedge head coupler is designed to easily join a sca old tube directly to the rosette at 90 degrees.

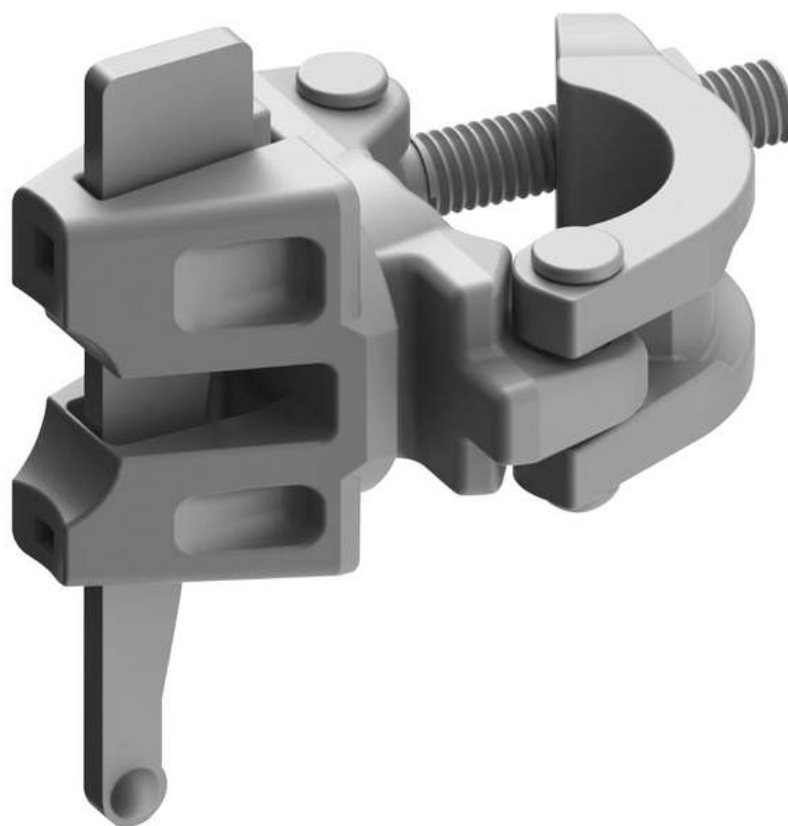


Item No.	Description	Weight		Packaging	
		kgs	Lbs	Qty.	Type
AS-RWR	Wedge head coupler, right angle, 1 bolt	1.80	3.96	650	Rack + Insert

# RINGLOCK

## Wedge Head Swivel Coupler

The swivel adapter clamp is designed to easily join a sca old tube to the rosette of a Ringlock sca old producing a variety of angles and configurations.

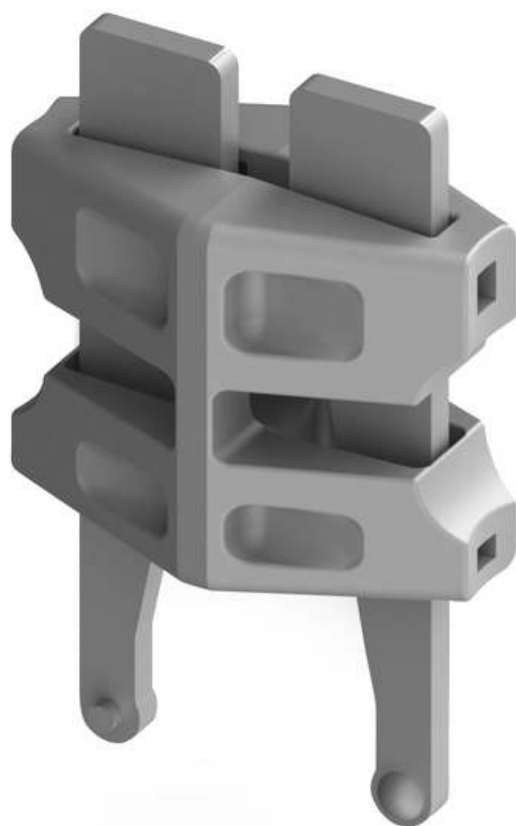


Item No.	Description	Weight		Packaging	
		kgs	Lbs	Qty.	Type
AS-RWS	Wedge head coupler, swivel, 1 bolt	1.80	3.96	650	Rack + Insert

# RINGLOCK

## Wedge Head Coupler

Wedge head coupler allows the connection of ringlock standards to enforce its strength.

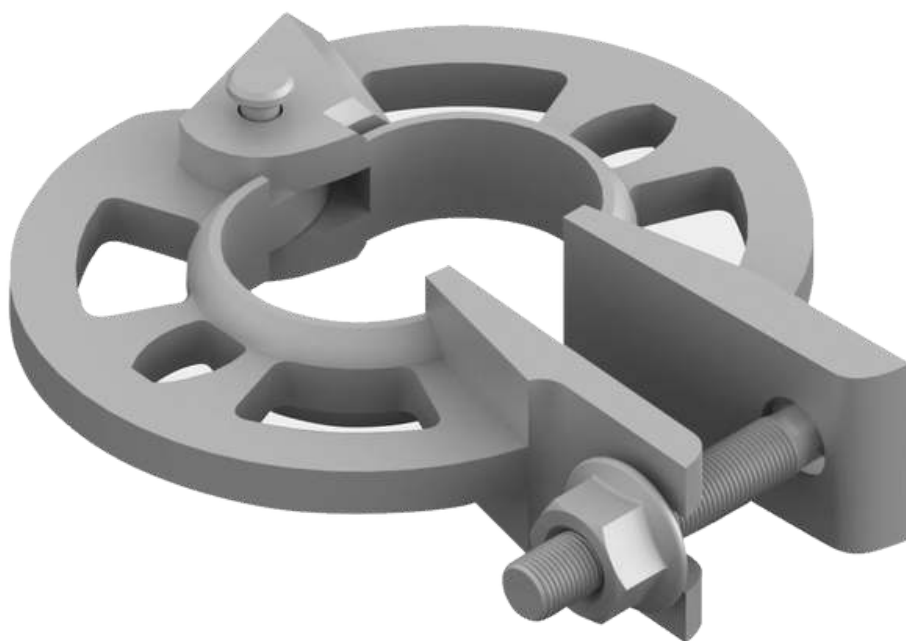


Item No.	Description	Weight		Packaging	
		kgs	Lbs	Qty.	Type
AS-WHC	Wedge head coupler	1.20	2.64	650	Rack + Insert

# RINGLOCK

## Rosette Clamp

The rosette clamp is used to add a rosette at any point on a vertical standard or tube.

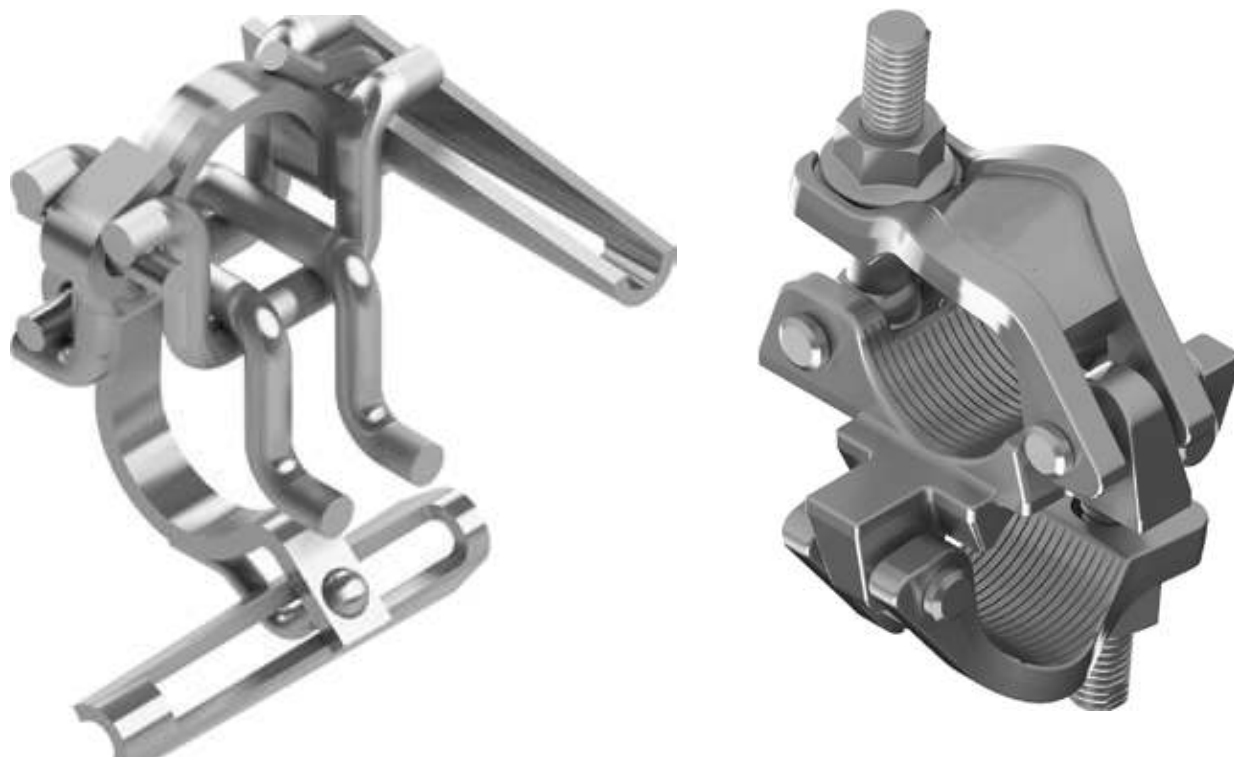


Item No.	Description	Weight		Packaging	
		kgs	Lbs	Qty.	Type
AS-RRC	Rosette Clamp, 22mm	1.20	2.64	850	Rack + Insert

# RINGLOCK

## Right Angle Clamp

The Right Angle Clamp (I-Bolt or Wedge) is designed to be used in conjunction with scaffold tube to create 90-degree angles.



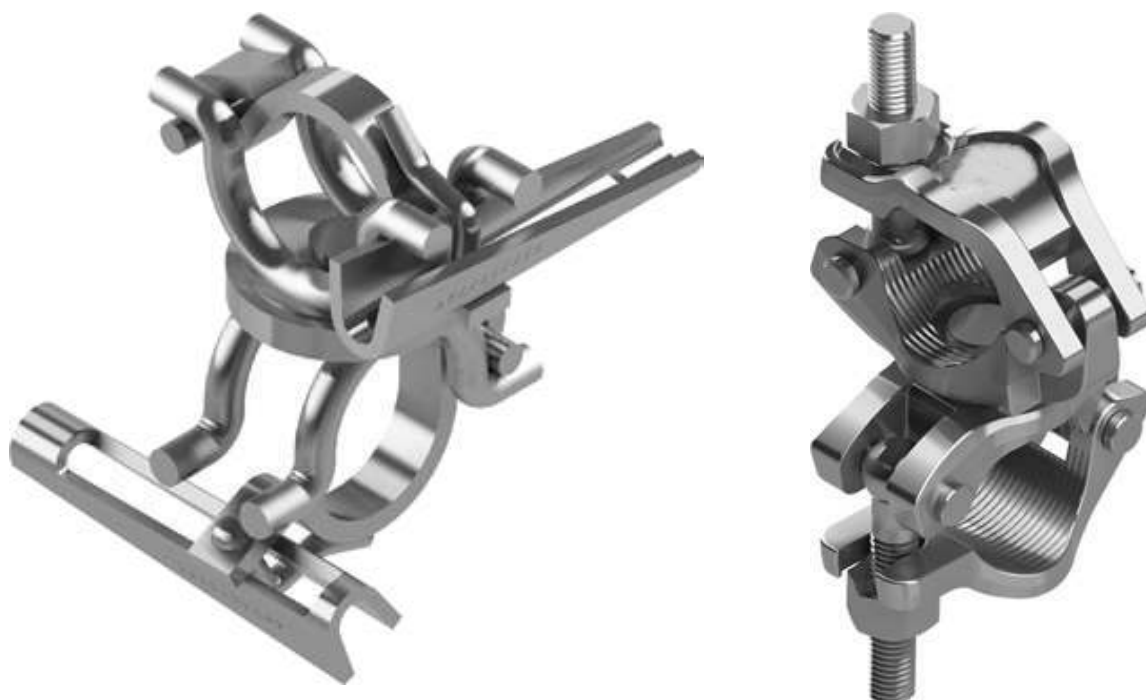
Item No.	Description	Weight		Packaging	
		kgs	Lbs	Qty.	Type
AS-RACI	Right Angle Clamp (I-Bolt)	1.45	3.19	700	Rack + Insert
AS-RACW	Right Angle Clamp (Wedge)	1.50	3.30	500	Rack + Insert

\* Product available in a Nut Size of 21mm (UK), 22mm (7/8" N. America) and 23mm (Aus.)

# RINGLOCK

## Swivel Clamp

The Swivel Clamp (I-Bolt or Wedge) is designed to be used in conjunction with scaffold tube to create a variety of angles.



Item No.	Description	Weight		Packaging	
		kgs	Lbs	Qty.	Type
AS-SCI	Swivel Clamp (I-Bolt)	1.8	3.96	700	Rack + Insert
AS-SCW	Swivel Clamp (Wedge)	1.7	3.74	500	Rack + Insert

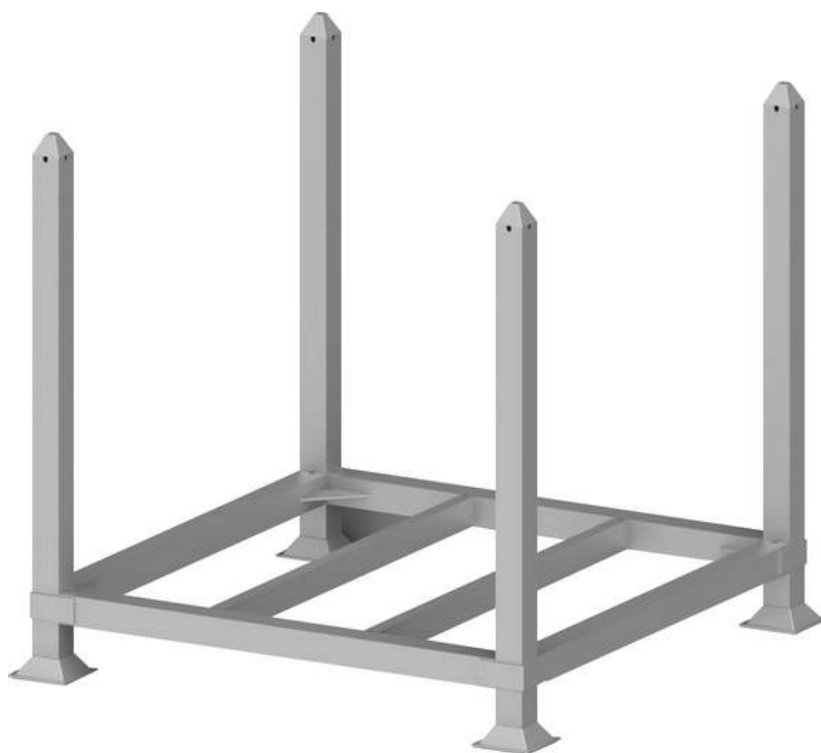
\* Product available in a Nut Size of 21mm (UK), 22mm (7/8" N. America) and 23mm (Aus.)



# RINGLOCK

## Scaffold Rack

The scaffold rack is designed to load scaffolding components for transportation.

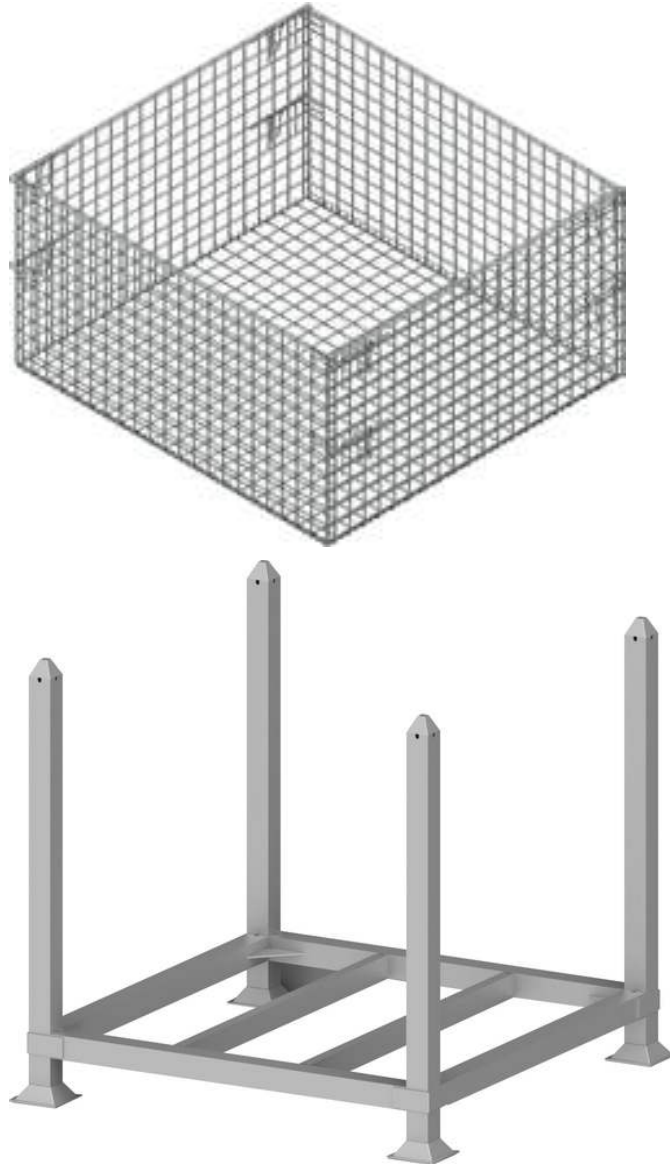


Item No.	Description	Weight		Packaging	
		kgs	Lbs	Qty.	Type
AS-SR	Scaffold Rack 44"X 44"X34.25"	46	101.2	1	Rack

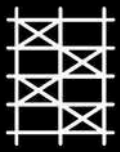
# RINGLOCK

## Scaffold Cage Insert

The scaffold cage insert is designed to fit into the storage rack, to create the Basket for storage of clamps and accessories.



Item No.	Description	Weight		Packaging	
		kgs	Lbs	Qty.	Type
AS-SCI	Scaffold Cage Insert (44"*44"*34")	30	66	1	Rack



**SCAFFOLDING**  
— BY APAC GROUP —

# RINGLOCK SYSTEM

North America

---

**[ ADDRESS ]**

388 Dongwu South Rd.,  
Suzhou City, R.P China  
215168

---

**[ Phone ]**

+86 512 6670 0084

---

**[ EMAIL ]**

info@apacscaffold.com

---

**[ WEB ]**

www.apacscaffold.com

